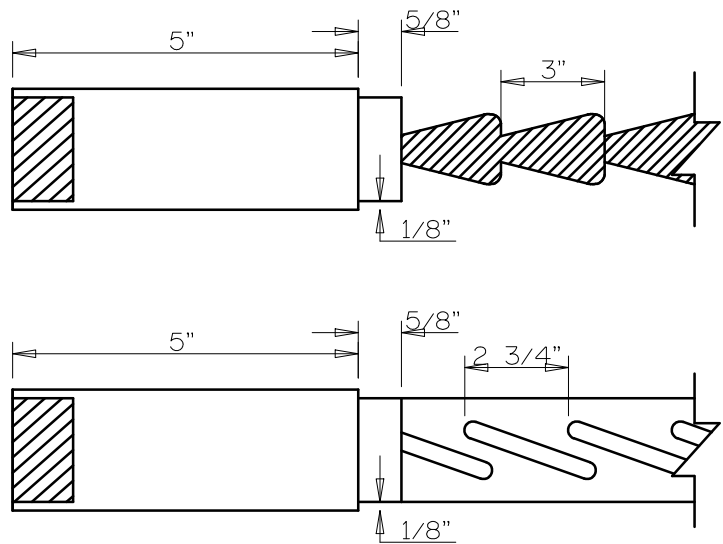


SL3100	A	B	C	D	E
4-0 THRU 2-0	5"	5"	9"	3"	VARIABLE
1-10 THRU 1-4	4"	5"	9"	3"	VARIABLE
1-2	3"	5"	9"	3"	VARIABLE
1-0	2"	5"	9"	3"	VARIABLE



**Timberland**  
 CUSTOM DOORS FOR A LIFETIME OF OPENINGS

Detail: STILELINE SL3100 3" VENT

Date: 5/9/19

Customer:

DWG#

By: C J B